

## GLM-80 Self Closing Slide Door System



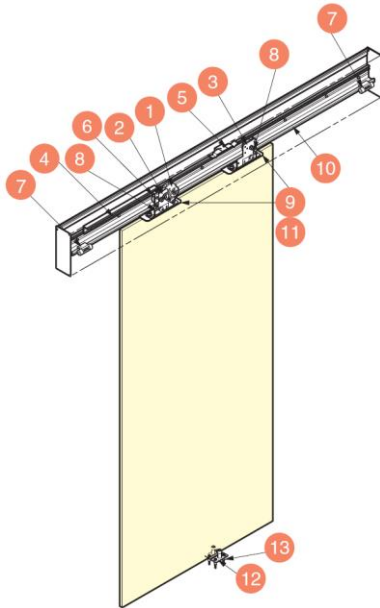
Door Weight	30-80 kg/Door
Door Thickness	28-40 mm
Door Width	700-1200 mm
Door Travel	Max. 1100 mm (In Case of Door Width 1200 mm)

### Features

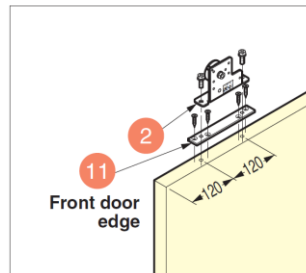
- Self closing slide door system. No electricity required
- Equipped with damper for smooth and soft closing, eliminating slamming
- Door catch included to hold door in fully open position
- Damping speed adjustable for best soft closing

### Notes

- Please secure enough clearance between door and rail cover
- Rail cover for door of max. 32 mm thickness is available upon request

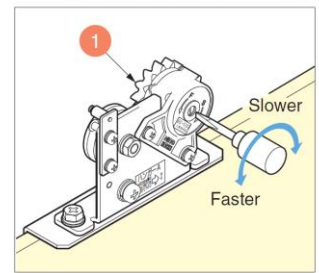


### Installation of Roller

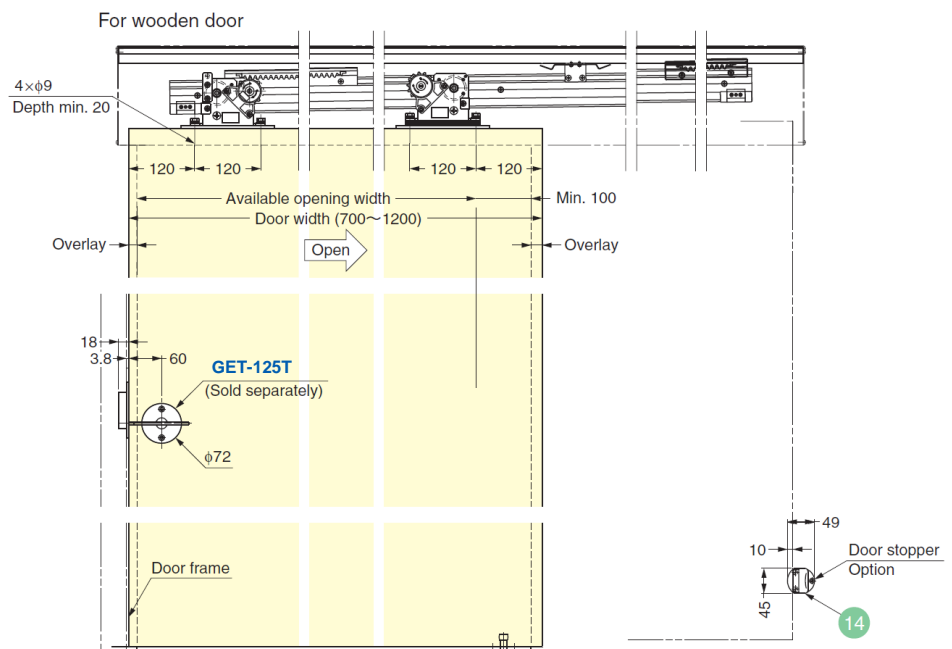
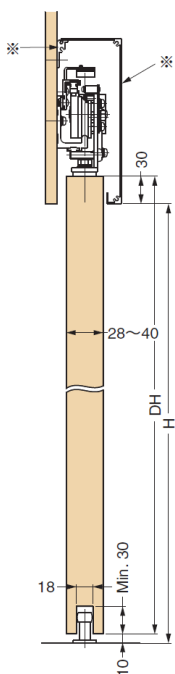


Roller brackets for solid phenolic panel and wooden door included.

### Adjustment of Closing Speed



※Not included.



## Parts Set (Per Door)

## Necessary Parts

Part No.

**GLM-80**

Parts Included

No.	Qty	Part Name	Dimensions	Description
1	1 pc	Damper		<b>GSC-C08</b> ● Material POM ● Colour Black
2	1 pc	Roller A		● Material Steel / POM ● Finish Yellow Zinc Chromate / White
3	1 pc	Roller B		● Material Steel / POM ● Finish Yellow Zinc Chromate / White
4	1 set	Gear Rack		<b>GSC-C07</b> ● Material Aluminium Alloy ● Finish Plain
5	1 pc	Spring		● Material Steel / Spring Steel ● Finish Yellow Zinc Chromate / Plain
6	1 pc	Stopper Roller		● Material Steel ● Finish Chromate
7	2 pcs	Door Stopper		● Material Stainless Steel
8	2 pcs	Stopper Plate		● Material Steel ● Finish Chromate
9	t=1 :15 pcs t=0.5 :1 pc	Height Adjustment Spacer		● Material Steel ● Finish Plain
10	1 pc	Upper Rail		● Material Aluminium Alloy ● Finish Anodized
11	2 pcs	Roller Bracket		● Material Steel ● Finish Chromate
12	1 pc	Bottom Roller Guide		● Material Stainless Steel / Polyacetal (POM)
13	2 pcs	Anchor 6x30	-	● Material Polyamide (PA) ● Colour Grey

## Optional Parts

No.	Item Code	Part Name	Dimensions	Description
14	G162-811	Door Stopper		● Material Zinc Alloy (ZDC) & Rubber ● Finish Satin Chrome

## Installation of Door Stopper

